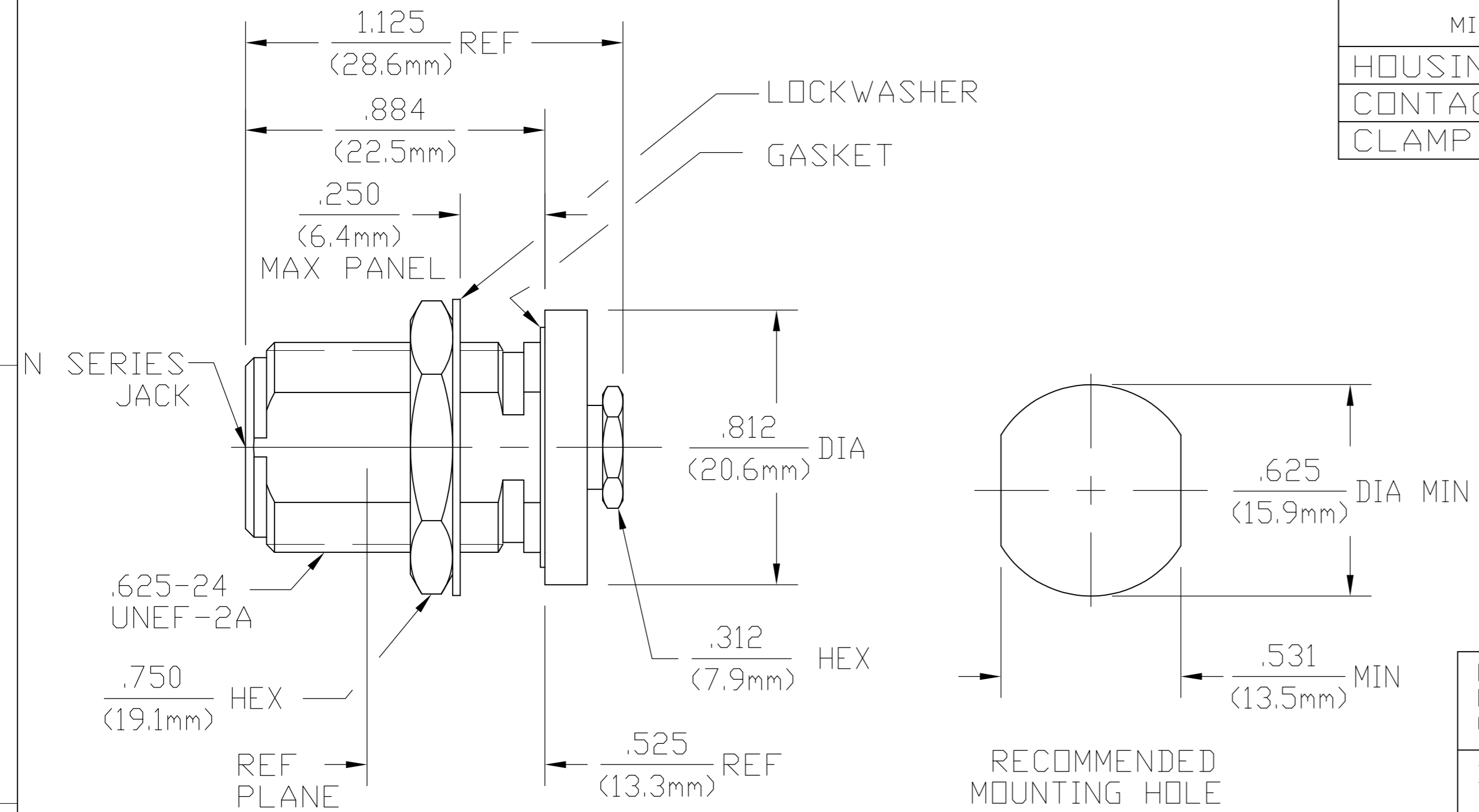


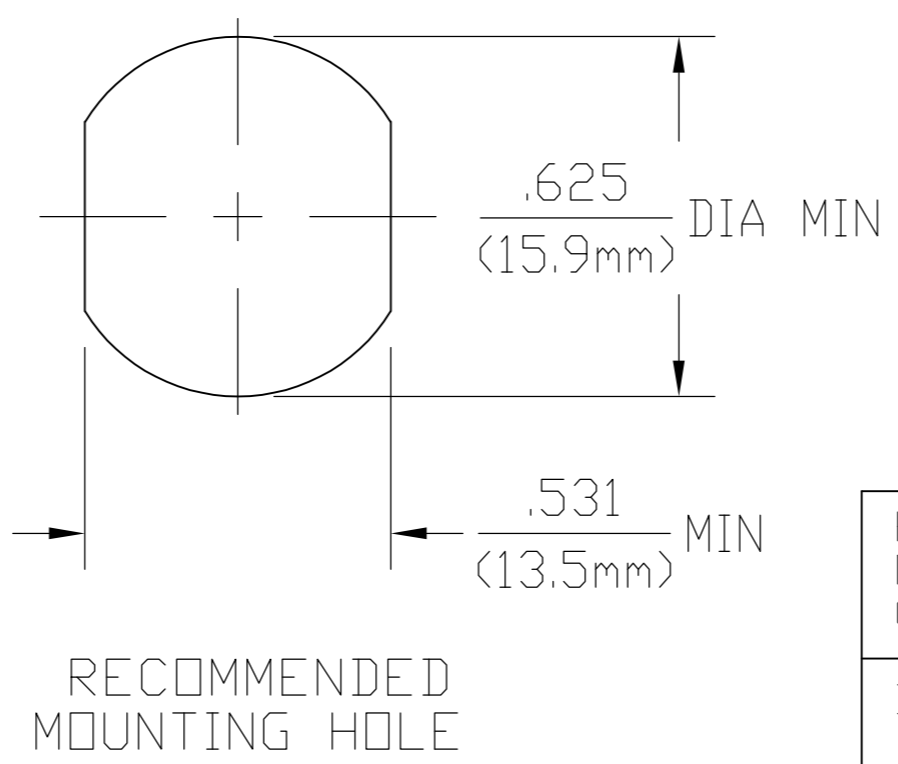
THIS DRAWING IS UNPUBLISHED. RELEASED FOR PUBLICATION
 © COPYRIGHT BY TYCO ELECTRONICS CORPORATION. ALL RIGHTS RESERVED.

LOC	DIST	REVISIONS			
P	LTR	DESCRIPTION	DATE	DWN	APVD
HC	00	B	REV PER ECO 07-027471	1/16/2008	DW JL

CABLE ENTRY DIAMETER MINIMUM	
HOUSING	.066
CONTACT	.023
CLAMP NUT	.112



DESIGNED FOR USE WITH RG 174/U, 179, 187, 188, 316 CABLE



COMPONENT	MATERIAL	FINISH
HOUSING MOUNTING NUT CLAMP NUT	BRASS PER ASTM-B-16, HALF HARD	NICKEL PLATE PER QQ-N-290
DIELECTRIC	TFE FLUOROCARBON PER ASTM-D-1457	N/A
CENTER CONTACT	BERYLLIUM COPPER PER ASTM B 196, ALLOY C17300, CONDITION H	GOLD PLATE PER MIL-G-45204
LOCKWASHER	PHOSPHOR BRONZE PER QQ-B-750, GRADE B2 OR TIN BRASS PER ASTM-B-591	NICKEL PLATE PER QQ-N-290
COLLAR	BRASS PER ASTM-B-16, HALF HARD	GOLD PLATE PER MIL-G-45204
GASKET	SILICONE RUBBER PER ZZ-R-765	N/A

ELECTRICAL	MECHANICAL	ENVIRONMENTAL
Nominal Impedance (Ohms) 50	Interface Dimensions MIL-STD-348A, Fig. 304.2	TEMPERATURE RATING -65°C TO +125°C
Frequency Range (GHz) DC to 11	Recommended Mating Torque N/A	Vibration MIL-STD-202, Method 204, Condition B
Volt Rating (VRMS MAX) @ Sea Level 250	Mating Characteristics:	Shock MIL-STD-202, Method 213, Condition I
VSWR 1.20+.025f(GHz)	Insertion (MAX Lbs) 2.0	Thermal Shock MIL-STD-202, Method 107, Condition B, EXCEPT HIGH TEMP 115°C
Insertion Loss (dB MAX) .10 √f(GHz)	Withdrawal (MIN Oz) 2.0	Moisture Resistance MIL-STD-202, Method 106
RF Leakage (dB MIN) -[60-f(GHz)]	Force to Engage and Disengage (In-Lbs MAX) 6.0	Corrosion - MIL-STD-202, Method 101, Condition B, 5% salt spray
Corona, 70,000 Ft (VRMS MIN) 190	Center Contact Captivation	
Dielectric Withstanding Voltage (VRMS MIN) @ Sea Level 750	Axial (Lbs) 6.0	
Contact Resistance (Milliohms MAX)	Radial (In-Oz) 4.0	
Center Contact 1.5	Cable Retention	
Outer Contact 2.0	Axial Force (Lbs) 20 MIN	
Cable to Housing 0.5	Torque (In-Oz) N/A	
RF High Potential @ Sea Level (VRMS MIN @ 5 MHz) 500	Weight (Grams) TBD	
I.R.(Megohms MIN) 5000		

THIS DRAWING IS A CONTROLLED DOCUMENT.

DWN G. MICHAEL 10FEB2004	Tyco Electronics Corporation Harrisburg, Pa 17105-3608
CHK G. MICHAEL 10FEB04	
APVD G. MICHAEL 10FEB04	
PRODUCT SPEC	
APPLICATION SPEC	NAME N SERIES BULKHEAD CABLE JACK CLAMP ATTACHMENT (3004-7388-10)
30-045	SIZE A2 CAGE CODE 00779 DRAWING NO C-1057140 RESTRICTED TO
WEIGHT -	SCALE 3:1 SHEET 1 OF 1 REV B
CUSTOMER DRAWING	